

Phoenix Controls single body valves are available in a variety of flange styles. All available varieties are described in the ordering guides of the valve product data sheets.

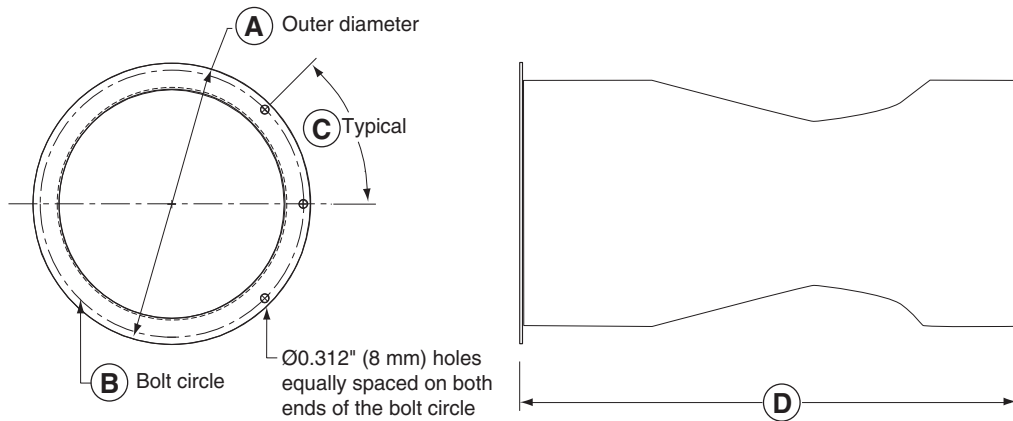
- Without flanges (1 valve body)
- With two welded circular flanges (number of valve bodies = F)
- With one single square flange (valve option F)
- With two single square flanges (valve option B)

## DIMENSIONS AND BOLT HOLE PATTERNS

This product data sheet identifies the dimensions of single body valves with each of the above flange options. All other product details (specifications, weights, installation, maintenance and troubleshooting) are identified on the valve product data sheets.

### Two Welded Circular Flanges

(number of valve bodies = F)



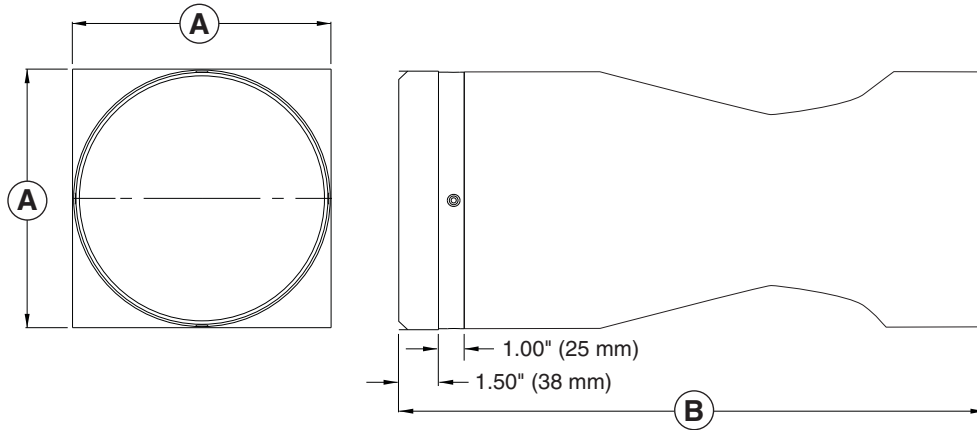
	Number of Bolt Holes	A		B		C Degrees	D	
		inches	mm	inches	mm		inches	mm
8"	6	10.28	261	9.375	238	60	23.50	597
10"	6	12.75	324	11.375	289	60	21.75	552
12"	8	14.75	375	13.375	340	45	26.81	681
14"	8	16.75	425	15.375	391	45	30.00	838

For circular companion flanges, sheet metal contractors can order duct companion flanges from McGill Airflow (a subsidiary of United McGill Corp.) as follows:

Companion Flange	Number of Bolt Holes
Galvanized Uni-Ring 8" diameter	6
Galvanized Uni-Ring 10" diameter	6
Galvanized Uni-Ring 12" diameter	8
Galvanized Uni-Ring 14" diameter	8

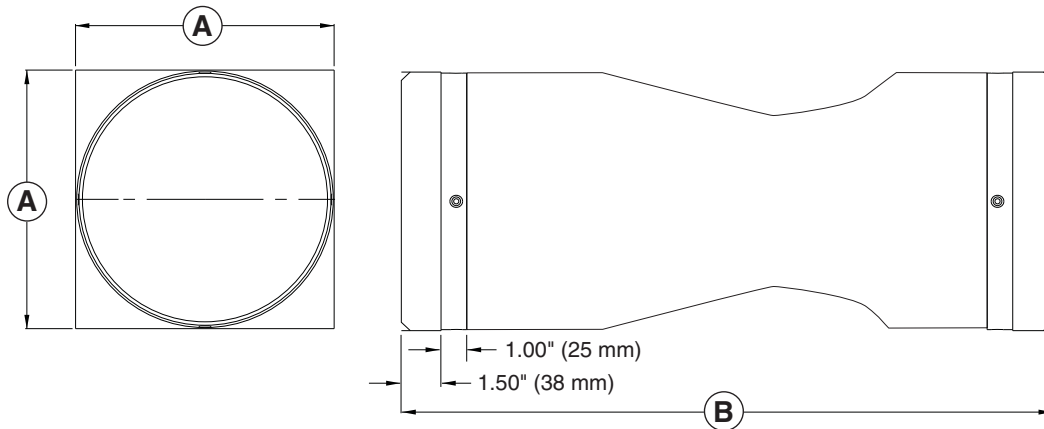
Find the McGill location nearest you on [www.mcgillairflow.com](http://www.mcgillairflow.com), click Locations.

**One Single Square Flange (valve option F)**



	A		B	
	inches	mm	inches	mm
8"	8.13	207	25.00	635
10"	10.13	257	23.25	591
12"	12.13	308	28.31	719
14"	15.00	381	31.5	800

**Two Single Square Flanges (valve option B)**



	A		B	
	inches	mm	inches	mm
8"	8.13	207	26.50	673
10"	10.13	257	24.75	629
12"	12.13	308	29.81	757
14"	15.00	381	33.00	838

**OSHPD Certified**

These devices are certified for OSHPD Seismic Certification Preapproval per 2013 CBC, 2012 IBC, ASCE 7-10, and IEC-ES-AC-156. OSHPD Special Certification number OSP-0290-10.

**ISO**

Phoenix Controls Designs, Develops, Manufactures, and sells products, systems, and service to control the environment and airflow of critical spaces. Phoenix Controls is registered to ISO 9001:2008.

**Warranty**

Phoenix Controls Warrants all venturi valves against defects in material and workmanship for a period of 5 years. In addition, all other equipment manufactured by Phoenix Controls, such as sash sensors, fume hood monitors, and equipment supplied but not manufactured by Phoenix Controls is covered by a 3 year warranty.