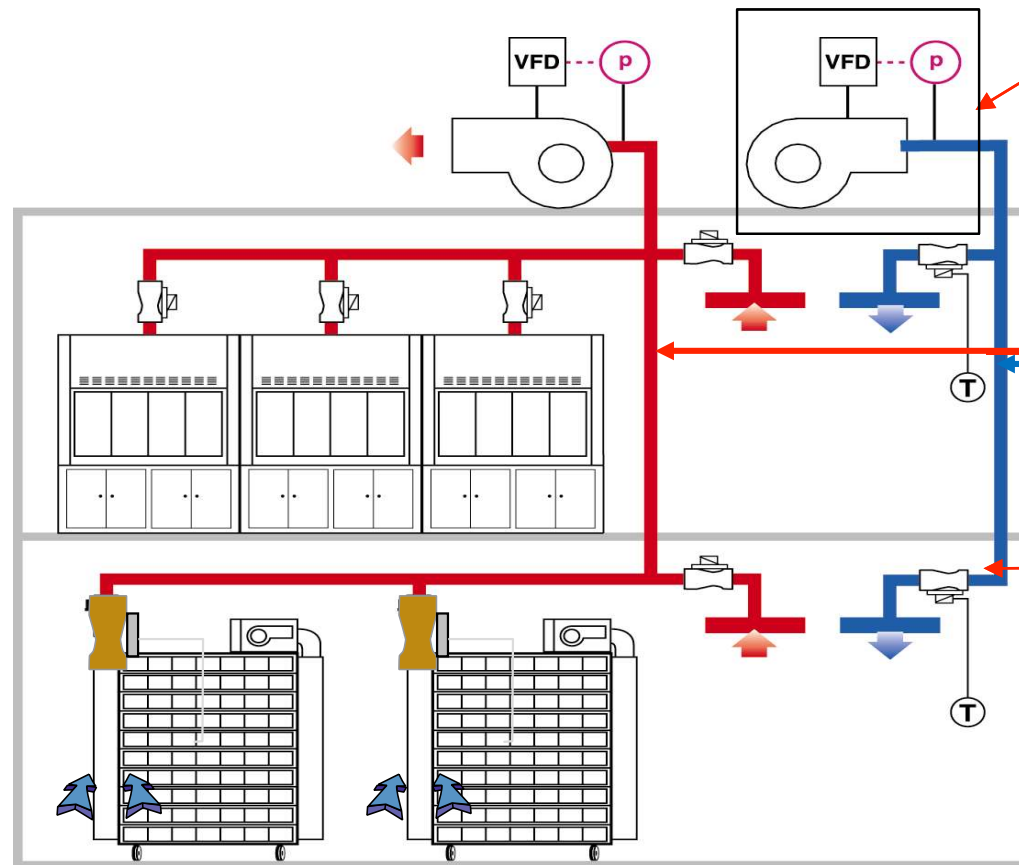


# Preventative Maintenance To Protect STATIC



- dirty fan blades
- clogged filters
- dirty pressure sensors
- loose fan belts

- duct leakage
- stuck fire and bypass dampers

- proper ventilation control
- reheat coil cleanliness
- flexi duct kink

High summer heat can be a building diversity challenge